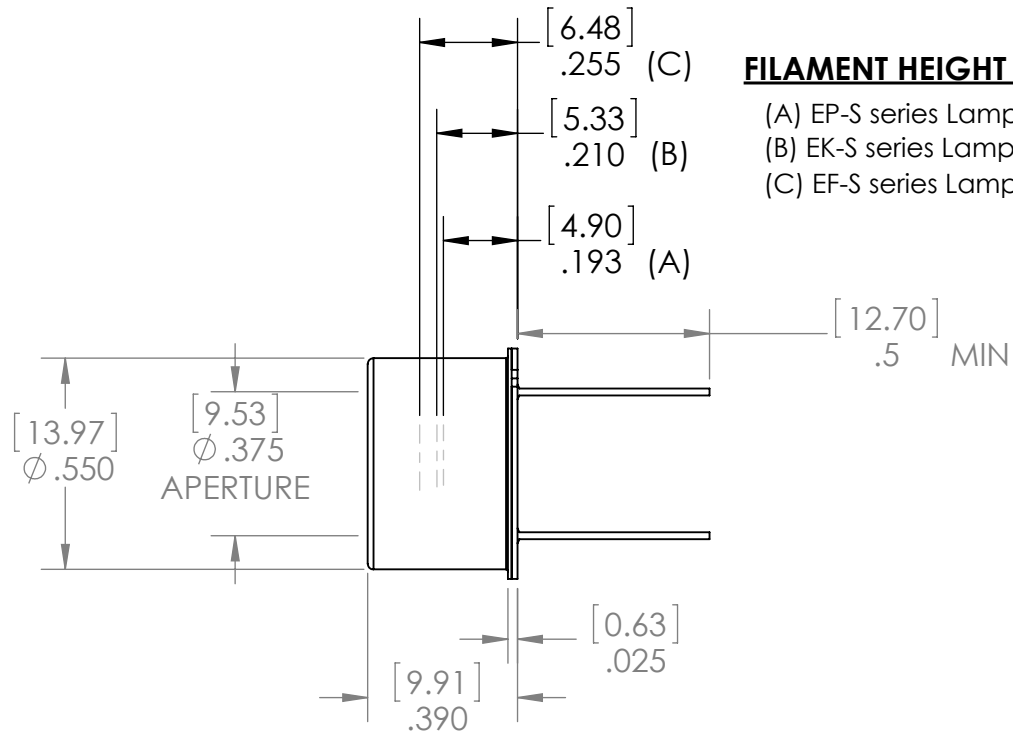
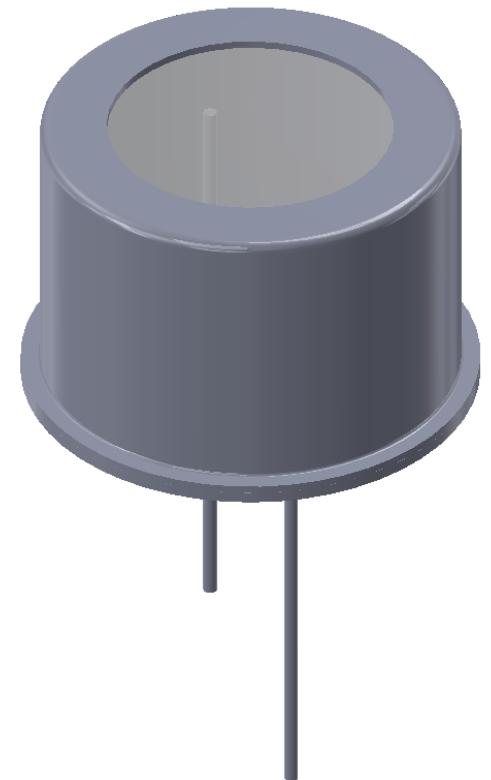


**TOP VIEW**

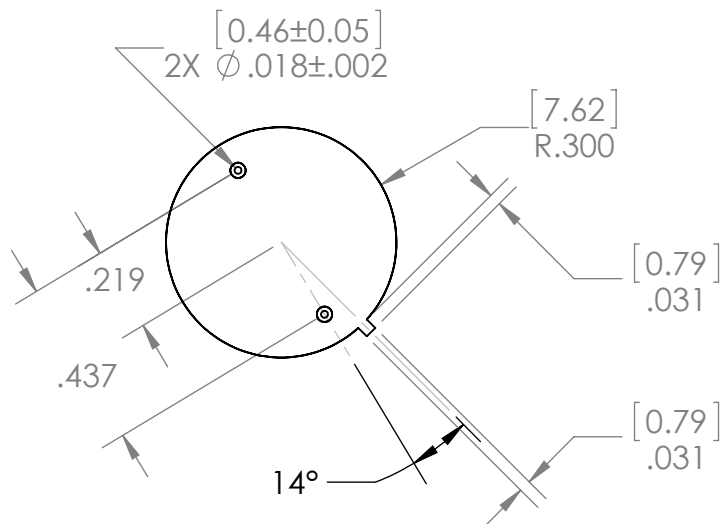


**FILAMENT HEIGHT FROM MOUNTING SURFACE**

- (A) EP-S series Lamps- Filament diameter = 0.025in
- (B) EK-S series Lamps- Filament diameter = 0.075in
- (C) EF-S series Lamps- Filament dimensions .250in X.260in



**SIDE VIEW**



**BOTTOM VIEW**

UNLESS OTHERWISE SPECIFIED:

DIMENSIONS ARE IN INCHES  
 TOLERANCES:  
 ANGULAR: MACH ± 2  
 XX: ±.015  
 XXX: ±.005  
 XXXX: ±.0005

INTERPRET GEOMETRIC  
 TOLERANCING PER:ANSI Y 14.5M

DO NOT SCALE DRAWING



	NAME	DATE
DRAWN	L SNYDER	12/30/15
ENG APPR.	D WOOD	

COMMENTS:

TITLE:  
**OUTLINE & MOUNTING  
 TO-8 PACKAGE**

SIZE	DWG. NO.	REV
<b>A</b>	20013	A

SCALE: 4:1 SHEET 1 OF 1