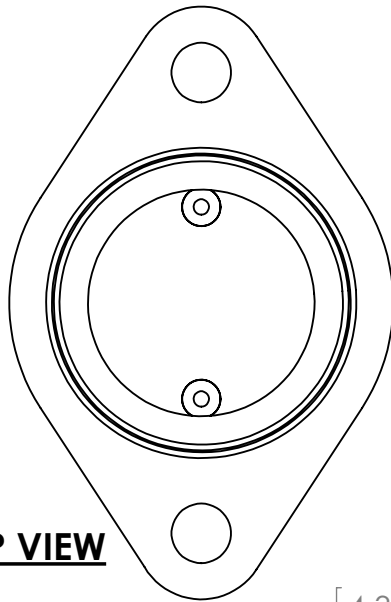
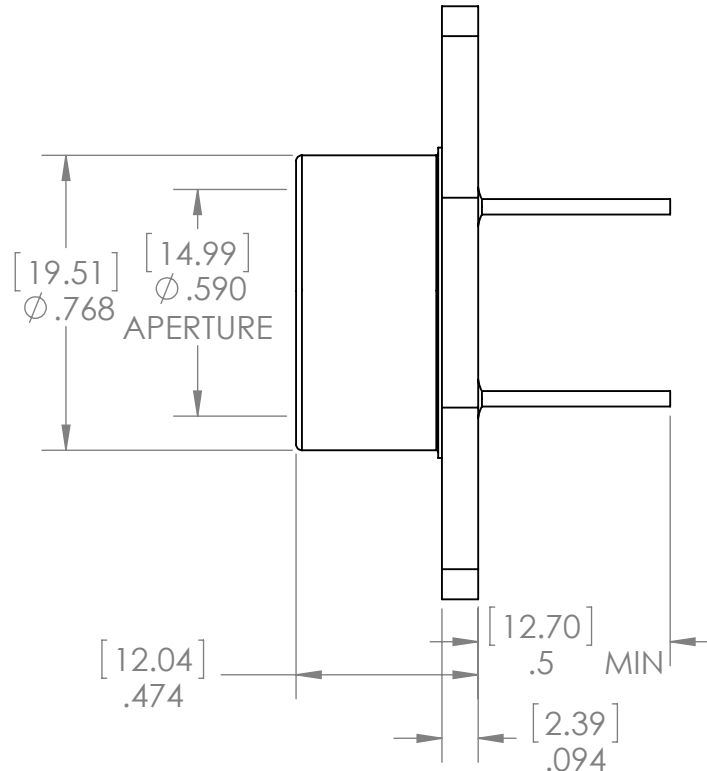


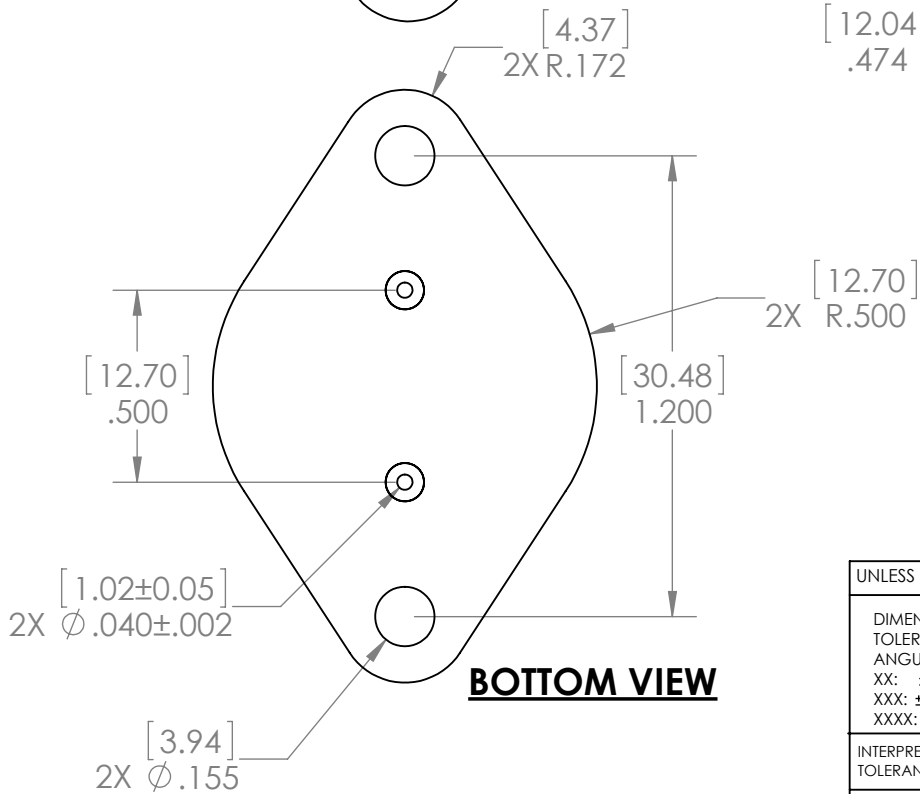
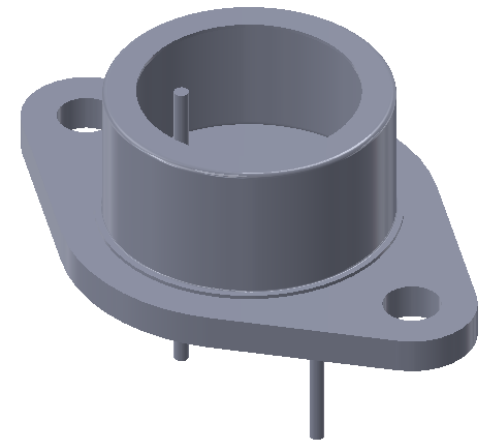
OPTIONS:
 EK-3430: NO WINDOW
 EK-3431: SAPPHIRE WINDOW
 EK-3432: CaF2 WINDOW
 EK-3433: ZnSe WINDOW




TOP VIEW



SIDE VIEW



BOTTOM VIEW

UNLESS OTHERWISE SPECIFIED:				TITLE:			
DIMENSIONS ARE IN INCHES TOLERANCES: ANGULAR: MACH ± 2 XX: ±.015 XXX: ±.005 XXXX: ±.0005				OUTLINE & MOUNTING TO-3 PACKAGE			
INTERPRET GEOMETRIC TOLERANCING PER: ANSI Y 14.5M		DRAWN	NAME			DATE	SIZE
DO NOT SCALE DRAWING		ENG APPR.	D WOOD		A	20030	
COMMENTS: MATERIAL: CAP: GRADE A NICKEL HEADER: STEEL				SCALE: 2:1		SHEET 1 OF 1	