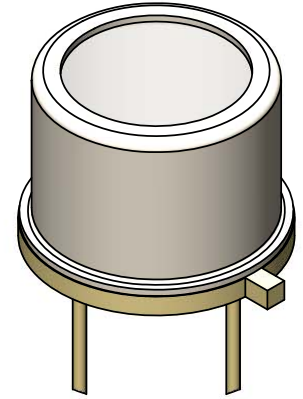
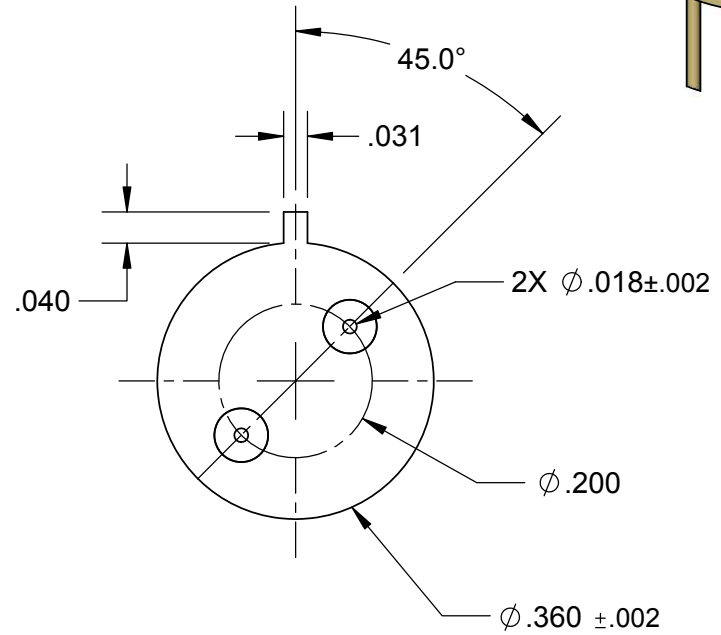
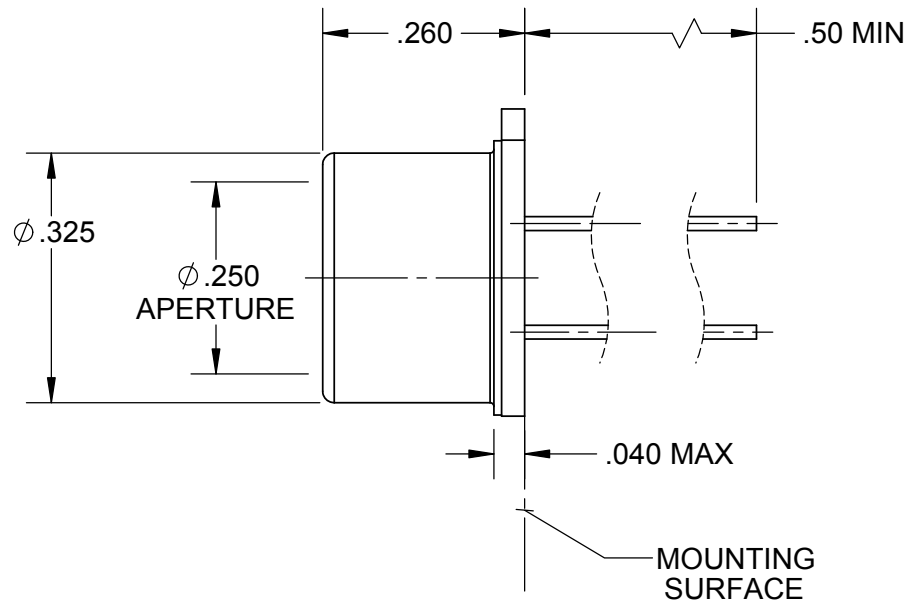


NOTES:



		UNLESS OTHERWISE SPECIFIED:	NAME	DATE	HELIOWORKS, INC.	
		DIMENSIONS ARE IN INCHES ± TOLERANCES: XX = .02 XXX = .005 XXXX = .0005 XXXXX = .00005	DRAWN	P.MEAD	05-20-15	TITLE: OUTLINE & MOUNTING TO-5 PACKAGE
			CHECKED			
			ENG APPR.	D.WOOD	05-21-15	
			MFG APPR.			
		INTERPRET GEOMETRIC TOLERANCING PER: ANSI Y14.5M	Q.A.			SIZE A
		MATERIAL	COMMENTS:		DWG. NO.	
NEXT ASSY	USED ON	FINISH			20024	
APPLICATION		DO NOT SCALE DRAWING			SCALE: 4:1	SHEET 1 OF 1