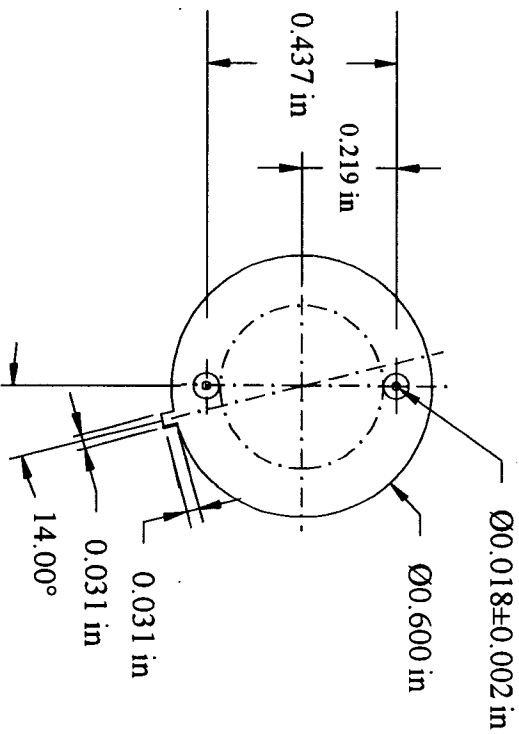
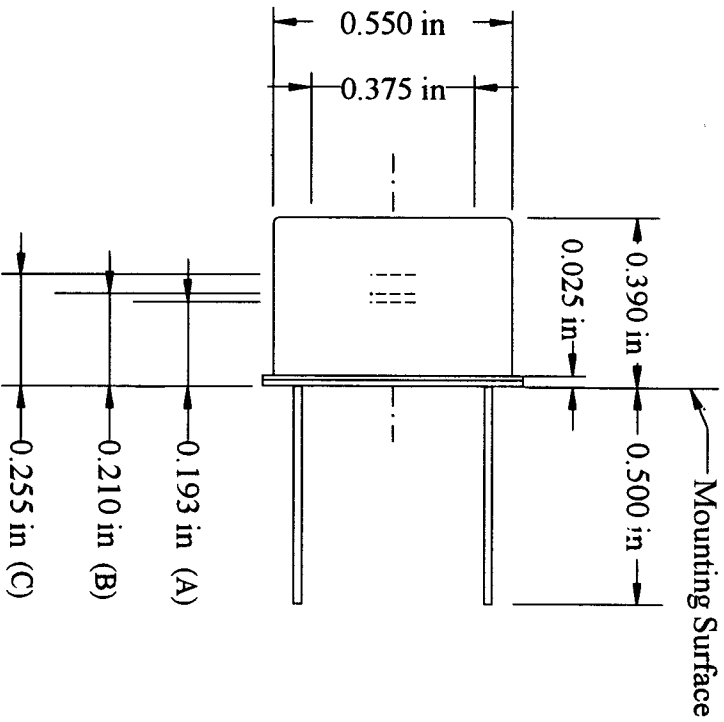


NOTES: 1. Use thermal compound when attaching heatsink to Mounting Surface.  
 2. Package temperature must not exceed 100 degrees Centigrade.

REV A - Added Filament location and dimensions. 08/09/2007.



**FILAMENT HEIGHT FROM MOUNTING SURFACE:**

- (A) EP - Sseries Lamps. Filament diameter = 0.025 in
- (B) EK - Series Lamps. Filament diameter = 0.075 in
- (C) EF - Series Lamps. Filament dimensions: 0.250 in x 0.260 in

TOLERANCE (+/-)

XX = 0.02  
 XXXX = 0.005

**HelioWorks**

**MOUNTING DIMENSIONS  
 TO-8 PACKAGE**

DATE: 09-12-2005		SCALE: NONE		SHEET: 20013		REV: A	
SIZE: A	CAGE CODE: NONE	DWG NO: 20013					